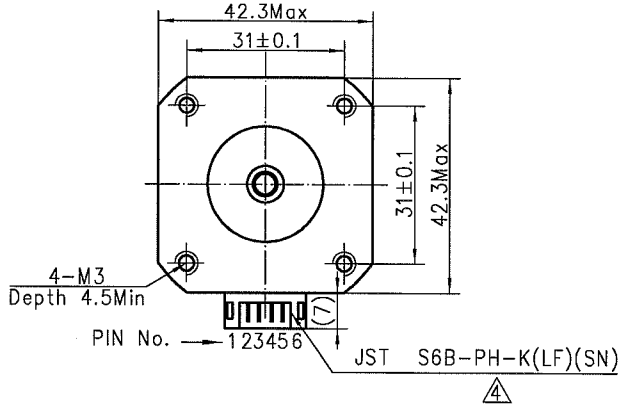
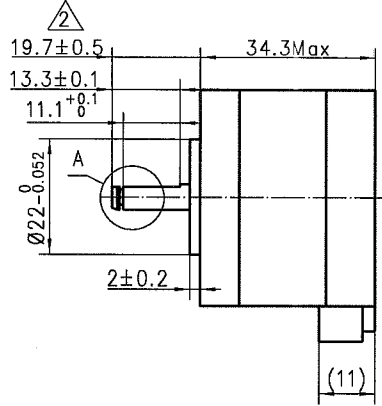
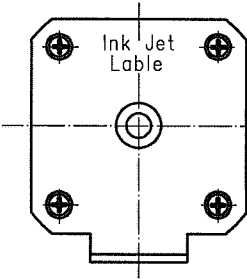
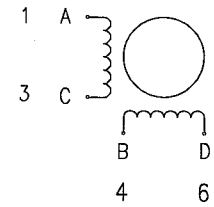


4611110011376



接线图
Wiring Diagram



励磁顺序 vs. 旋转方向
Exciting Sequence vs. Direction of Rotation

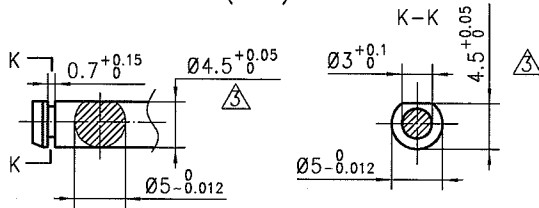
STEP	A	B	C	D	
1	+	+	-	-	CCW ↑
2	-	+	+	-	
3	-	-	+	+	
4	+	-	-	+	

从安装面看为顺时针方向
Clockwise view from mounting side

规格 Specifications

1. 相数 Number of Phase	2
2. 步距角 Step Angle	1.8°
3. 额定电压 Rated Voltage	4.83V DC
4. 额定电流 Rated Current	0.84A
5. 保持力矩 Holding Torque	0.28N.m MIN(Two phase on/rated current)
6. 相电阻 Phase Resistance	5.75ohm±10%(20°C)
7. 相电感 Phase Inductance	9.3mH±20%(1kHz 1V rms)
8. 转子惯量 Rotor Inertia	38g.cm ²
9. 电机重量 Motor Weight	0.21KG
10. 绝缘等级 Insulation Class	B(130°C)

A(2:1)



铭牌 Label Detail

MOONS' STEPPING MOTOR
TYPE: 17HD4063-06N
XXXXXXXX YY/MM/DD

Work Order 加工单号
Date Format 日期格式



REV.	版本记录 REVISION RECORD	DATE	UNLESS OTHERWISE SPECIFIED	NAMES	SIGNATURE	DATE	Type: 17HD4063-06N	Rev.E	SCALE 1:1	Sheet 1 of 1	
	Remove the wires	2015.04.29	Unit: mm 第一角画法 FIRST ANGLE METHOD	批准 Approve	张少东	4.29	MOONS' Hybrid Stepping Motor Shanghai Moons' Electric Co., Ltd. This document is released for information only. Its reproduction in whole or in part or its dissemination to third parties is prohibited. All trademarks and registered trademarks appearing on this document are the property of their respective owners.				
D	Change the flat wire of tolerance	2014.05.20	未注线性与角度尺寸公差 Tolerances for linear and angular dimensions without individual tolerance indications GB/T 1804-m eqv ISO 2768-1:m	标准化 Standard	张少东	4.29					
C	Change the wires and the shaft	2013.06.21	未注形状与位置尺寸公差 Geometrical tolerance for features without individual tolerance indications GB/T 1184-K eqv ISO 2768-2:K	工艺 Technology	张少东	4.29					
B	Change the wires	2013.03.19		审核 Check	张少东	2015.4.29					
A	原始版本 Original revision	2013.03.07		设计 Design	张小东	2015.04.29					